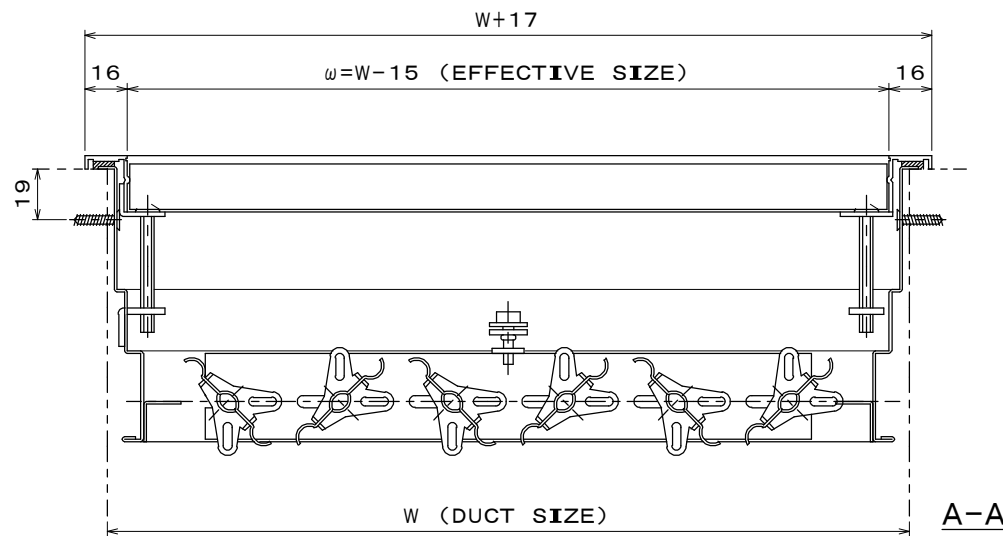
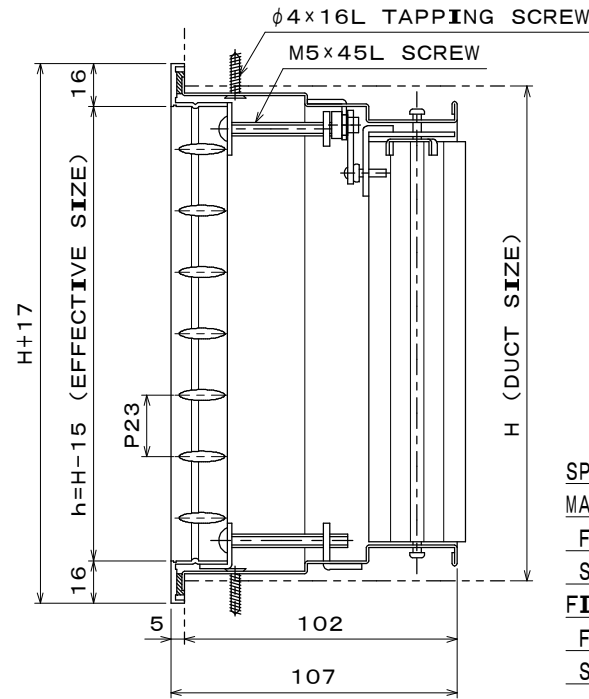
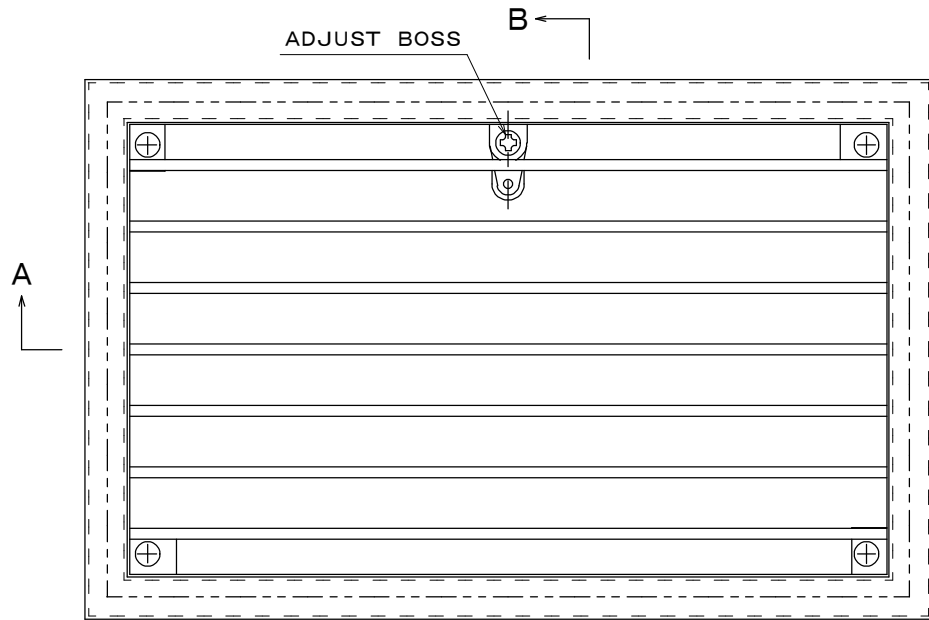


No	DUCT SIZE		EFFE. SIZE		SET
	W	H	w	h	
1					
2					
3					
4					
5					



SPECIFICATION

MATERIAL

FACE : ALUMINUM A6063S-T5

SHUTTER : STEEL

FINISH

FACE : BAKED MELAMINE

SHUTTER : GALVANIZED STEEL PLATE
(BLACK COLOR)

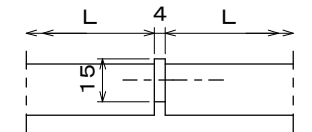
COLOR

ACCORDING TO CUSTOMERS REQUEST

SIZE

$W \times H \leq 1.0m^2$

$150 \leq W \leq 1800, 150 \leq H \leq 1800$



BLADE LENGTH $L > 800$

DELIVER		FORM	HS	SCALE	DESIGN	DRAW	EXAM	APPR	KUCHO GIKEN KOGYO CO., LTD.		3110576
CLASSIFICATION	UNIVERSAL	MODEL	H GRILLE, SHUTTER	ANGLE	T. MURAKAWA	N. NAGATA	T. MURAKAWA	T. I O I	DRAWING No.	3112774	
				2005. 3. 31.							