



KUKEN VIBRATION ISOLATOR MADE IT POSSIBLE!

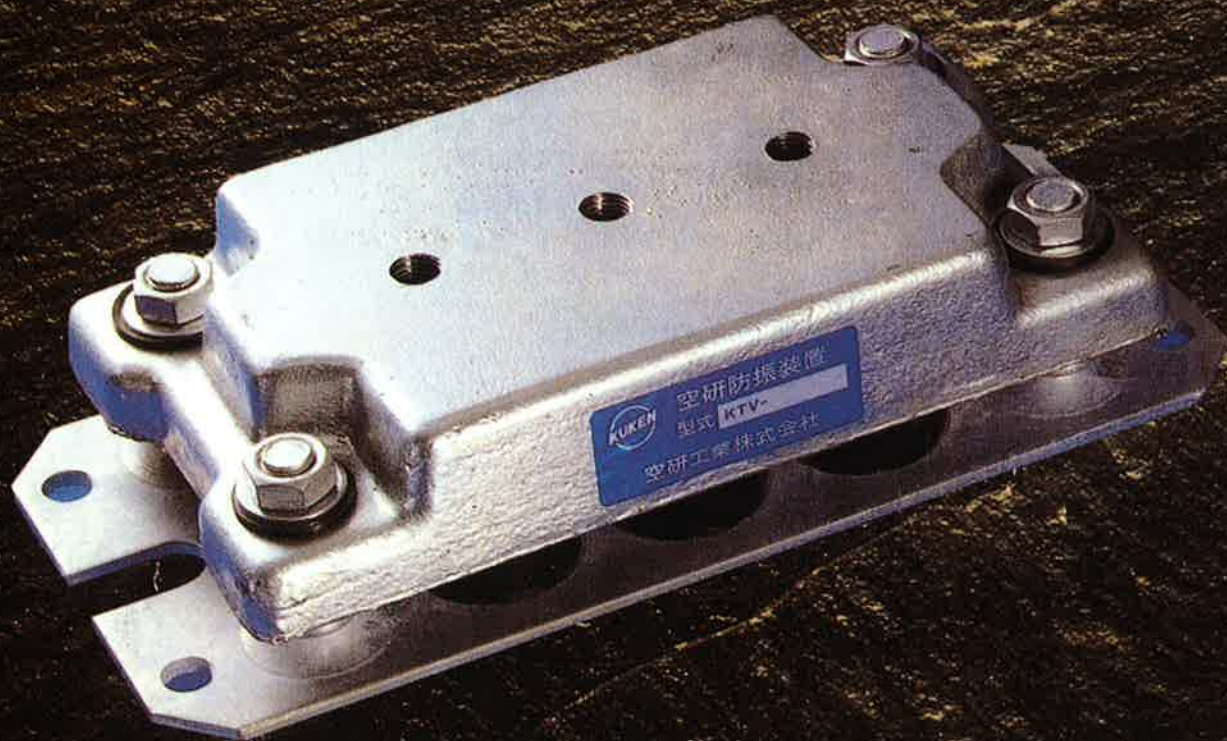
Integration of coil spring and vibration proof rubber guarantees effective vibration cut-down against wide range of frequency.

Comes with anti-vibration stopper that performs best against vibration level up to 1.0G (horizontal) and 0.5G (longitudinal). Galvanized metal parts (steel plates, bolts & nuts) ensure the proof against rust.

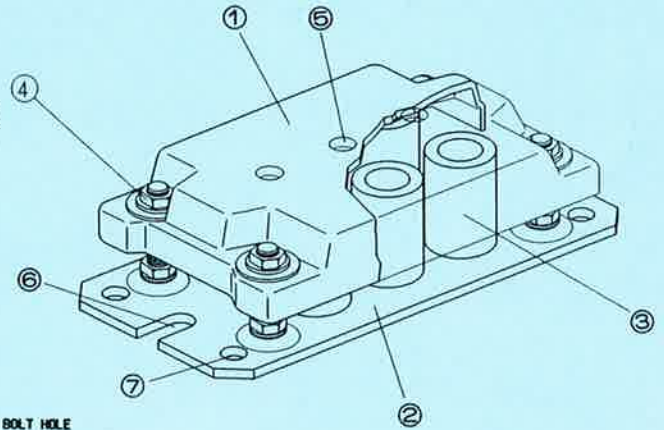
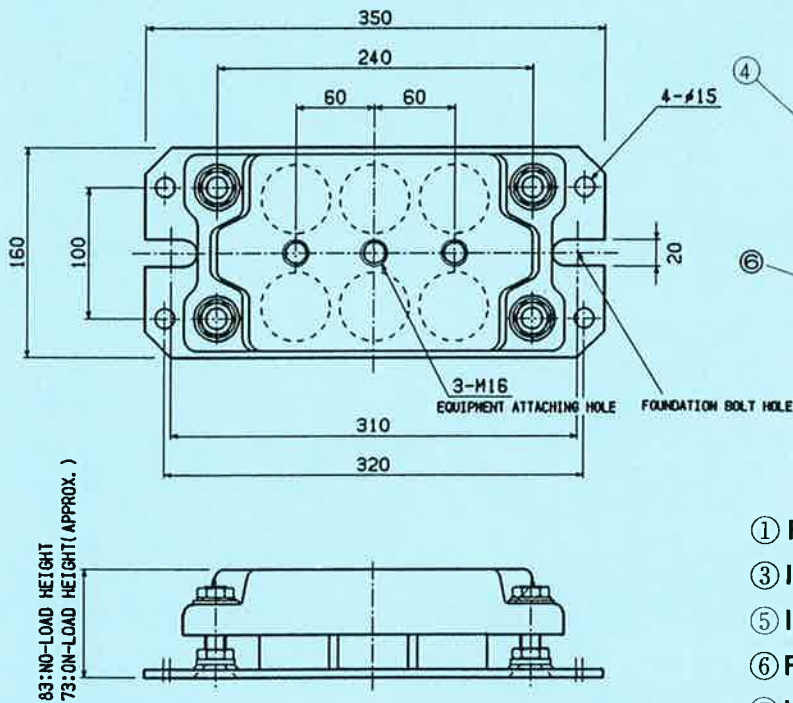
Perfect for a wide range of use from office building to hospital.

ANTI-VIBRATION DEVICE SPECIALLY MADE FOR COOLING TOWER

KTV SERIES



STRUCTURE



- ① FRAME ② BASE
- ③ ISOLATOR ④ VIBRATION STOPPER
- ⑤ INSTALLATION BOLT HOLE
- ⑥ FOUNDATION BOLT HOLE
- ⑦ HOLE FOR H-SHAPED STEEL FOUNDATION

PRODUCT SPECIFICATION

PRODUCT NO.	SPRING CONSTANT (kg/cm)	LOADING RANGE (kg)	WEIGHT (kg)	ACCESSORY					
				ITEM	SIZE	MATERIAL	QUANTITY		
KTV-350	350	200 ~ 350	7.7	<table border="1"> <tr> <td>FLAT WASHER</td> <td rowspan="2">M16 x 40L</td> <td rowspan="2">HD GALVANIZED</td> <td rowspan="2">2 PCS.</td> </tr> <tr> <td>SPRING WASHER</td> </tr> </table>	FLAT WASHER	M16 x 40L	HD GALVANIZED	2 PCS.	SPRING WASHER
FLAT WASHER	M16 x 40L	HD GALVANIZED	2 PCS.						
SPRING WASHER									
KTV-500	500	350 ~ 500	7.7						
KTV-700	700	500 ~ 700	8.2						
KTV-1000	1000	700 ~ 1000	8.2						
KTV-1500	1500	1000 ~ 1500	8.7						
KTV-2000	2000	1500 ~ 2000	8.7						

PERFORMANCE AGAINST VIBRATION			
ISOLATOR	RUBBER SPRING		
CHARACTERISTIC FREQUENCY	5 ~ 7 Hz		
FREQUENCY	31.5 Hz	63 Hz	125 Hz
VIBRATION TRANSMISSION RATIO	3.8%	0.9%	0.2%
VIBRATION REDUCTION	-28.5 dB	-40.8 dB	-56.0 dB
SPECIFICATION			
RUST PREVENTION	HOT DIPPED GALVANIZATION		
VIBRATION STOPPER	STANDARD		
LEVEL ADJUSTMENT MECHANISM	NON		
APPLICABLE RANGE			
FREQUENCY RANGE	SOLID SOUND RANGE OR VIBRATION RANGE		
USAGE	OFFICE BUILDING, FACTORY, BANK, HOTEL, HOSPITAL, LABORATORY, ETC		



KUKEN KOGYO CO., LTD.

2-39 OHORI-KOEN, CHUO-KU
FUKUOKA, 810 JAPAN

TEL (092) 741-5361

FAX (092) 715-0891